

Chroma-Q® Color One 100X™

User Manual



Chroma-Q®
BRILLIANT SOLUTIONS

Part Number: CHCONEX100RGBA, CHCONE100XRGBAIPSS
(Model: 638-1100, 638-1150)

Software Version 1.6
Manual 638-0708, V1.7

Warranty Statement

Chroma-Q warrants to the original purchaser, with proof of purchase, that its delivered products shall be free from defects in material and workmanship under normal use for a period of 24 months from date of shipment.

Chroma-Q will repair, or at its option, provide an equivalent item or replace, the defective product during the stated warranty period. This warranty applies only to the repair or replacement of the product and only when the product is properly handled, installed and maintained according to Chroma-Q instructions. This warranty excludes defects resulting from improper handling, storage, installation, acts of God, fire, vandalism or civil disturbances. Purchaser must notify Chroma-Q in writing within 14 days of noticing the defect. This warranty excludes field labour or service charges related to the repair or replacement of the product.

The warranty contained herein shall not extend to any finished goods or spare parts from which any serial number has been removed or which have been damaged or rendered defective (a) as a result of normal wear and tear, willful or accidental damage, negligence, misuse or abuse; (b) due to water or moisture, lightning, windstorm, abnormal voltage, harmonic distortion, dust, dirt, corrosion or other external causes; (c) by operation outside the specifications contained in the user documentation; (d) by the use of spare parts not manufactured or sold by Chroma-Q or by the connection or integration of other equipment or software not approved by Chroma-Q unless the Customer provides acceptable proof to Chroma-Q that the defect or damage was not caused by the above; (e) by modification, repair or service by anyone other than Chroma-Q, who has not applied for and been approved by Chroma-Q to do such modification, repair or service unless the Customer provides acceptable proof to Chroma-Q that the defect or damage was not caused by the above; (f) due to procedures, deviating from procedures specified by Chroma-Q or (g) due to failure to store, install, test, commission, maintain, operate or use finished goods and spare parts in a safe and reasonable manner and in accordance with Chroma-Q's instructions (h) by repair or replacement of engines without factory training.

The warranty contained herein shall not apply to finished goods or spare parts which are sold "as is", as "second-hand", as used", as "demo" or under similar qualifications or to Consumables ("Consumables" is defined as any part(s) of goods or part(s) for use with goods, which part(s) of goods or part(s) for use with goods are consumed during the operation of the goods and which part(s) of goods or part(s) for use with goods require replacement from time to time by a user such as, but not limited to, light bulbs).

The warranty contained herein shall not apply, unless the total purchase price for the defective finished goods or spare parts has been paid by the due date for payment.

The warranty contained herein applies only to the original purchaser and are not assignable or transferable to any subsequent purchaser or end-user.

This warranty is subject to the shipment of the goods, within the warranty period, to the Chroma-Q warranty returns department, by the purchaser, at the purchaser's expense. If no fault is found, Chroma-Q will charge the purchaser for the subsequent return of the goods.

Chroma-Q reserves the right to change the warranty period without prior notice and without incurring obligation and expressly disclaims all warranties not stated in this limited warranty.

Disclaimer

The information contained herein is offered in good faith and is believed to be accurate. However, because conditions and methods of use of our products are beyond our control, this information should not be used in substitution for customer's tests to ensure that Chroma-Q products are safe, effective, and fully satisfactory for the intended end use. Suggestions of use shall not be taken as inducements to infringe any patent. Chroma-Q sole warranty is that the product will meet the sales specifications in effect at the time of shipment. Your exclusive remedy for breach of such warranty is limited to refund of purchase price or replacement of any product shown to be other than as warranted.

Chroma-Q reserves the right to change or make alteration to devices and their functionality without notice due to our ongoing research and development.

The Chroma-Q Color One 100X range has been designed specifically for the lighting industry. Regular maintenance should be performed to ensure that the products perform well in the entertainment environment.

If you experience any difficulties with any Chroma-Q products please contact your selling dealer. If your selling dealer is unable to help please contact support@chroma-q.com. If the selling dealer is unable to satisfy your servicing needs, please contact the following, for full factory service:

Outside North America:
Tel: +44 (0)1494 446000
Fax: +44 (0)1494 461024
support@chroma-q.com

North America:
Tel: 416-255-9494
Fax: 416-255-3514
support@chroma-q.com

For further information please visit the Chroma-Q website at www.chroma-q.com.

Chroma-Q and Color One 100X are trademarks, for more information on this visit

www.chroma-q.com/trademarks. The rights and ownership of all trademarks are recognised.

Important Notice:

As per the requirements in the Occupational Safety and Health Administration standards for product approval, please refer to the OSHA web pages <http://www.osha.gov/dts/otpca/nrtl/> for information on the list of Nationally Recognized Testing Laboratories (NRTLs) and the scope of recognition.

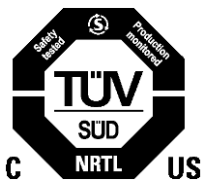


Table of Contents

1. Product overview.....	4
2. Operation	5
2.1 Unpacking the Units.....	5
2.2 Cabling.....	5
2.3 Mounting	6
2.4 Optics	6
2.5 Control.....	6
2.6 DMX Protocol.....	13
2.7 RDM.....	13
2.8 Thermal Performance	14
3. Troubleshooting	14
4. Specification.....	15
4.1 Technical Specifications	15
4.2 Drawings – Dimensions	16
5. Maintenance	17

1. Product overview

The new Chroma-Q® Color One 100X™ LED Par features an innovative fully homogenised beam, virtually eliminating the colour separation and shadows synonymous with LED lighting - delivering above Par performance from ONE source.

Utilising core LED technology from the Chroma-Q premium performance lighting range, the multi-purpose fixture is ideal for a wide range of applications and provides a powerful, creative lighting tool.

The Color One's custom optical design and fully homogenised output provides a smooth, uniform and defined 18° beam, with outstanding colour blend across the spectrum and no unsightly colour separation shadows. This makes the Color One ideal for use as a front and backlight with clean shadows, and an uplighter with a smooth, even beam - all from ONE source.

The Color One's huge RGBA colour-mixing palette delivers outstanding colour blend across the spectrum - including deep- cold blues, red-hot lava looks and super-soft pastels - as well as a complete range of whites - all from ONE source.

With RGBA colour mixing providing a high CRI of 93, the fixture can achieve extremely accurate colour matching. Theatrical grade dimming emulates the extremely smooth dimming curve of tungsten fixtures.

With the advanced feature set also including convection cooling for near-silent operation, a versatile mounting yoke and a choice of IP20 / IP65* models, the Color One 100X is suitable for numerous entertainment lighting applications - complementing the popular Chroma-Q Color Force™ and Inspire™ LED fixtures ranges.

With a simple to use Infra-Red remote control included with each fixture, you can be up and running within minutes without the requirement of a lighting console - saving time and labour with instant access to preset colours, on/off, dimming and effects.

To enable maximum flexibility with users' existing production inventory, the Color One accepts industry-standard 6.25" accessories such as egg crates, barndoors and top hats.



Note: HANDHELD COLOUR METERS

Handheld Colour Meters provide a limited measuring range for LED fixtures, which results in inconsistent and unreliable data.

All photometric values listed in this document are based on testing and measurements conducted by certified independent laboratories with reference to the IES standards.

2. Operation

2.1 Unpacking the Units

The Color One 100X (IP20 Version - with chassis mount connectors) package includes 1 unit Color One 100X fixture, power cord, power connector, colour frame, a Quick Start Guide and an IR Remote.

The Color One 100X (IP65 Version – with tails) package includes 1 unit Color One 100X fixture with built-in trailing leads, colour frame, a Quick Start Guide and an IR Remote.

We recommend that you keep the original packaging in case the item needs to be returned.

2.2 Cabling

The Color One 100X (IP20 Version) is built with chassis mount powerCon connectors for power input and through; chassis mount XLR 5-pin connectors for DMX control data input and through.

The Color One 100X (IP65 Version) is built with 3 feet trailing leads for power input and through; 3 feet XLR 5-pin trailing leads for DMX control data input and through.

The enclosures of both models are ground bonded.

XLR 5-pin Cable:

Pin#	Function
1	Common
2	Data Minus
3	Data Plus
4	Spare Data
5	Spare Data

Power Cable:

International Colour Code	North American	Connections	
Green and Blue	Green	Earth (E)	Ground
	White	Neutral	Neutral
Brown	Black	Live (L)	Hot (Gold)

Important Notice: The use of an opto-splitter for DMX signal distribution is highly recommended when several fixtures are not plugged into the same power source.

2.3 Mounting

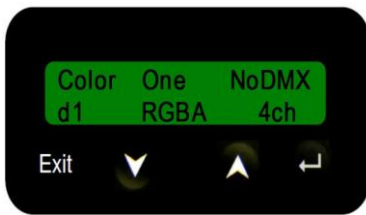
The Color One 100X is built with a split yoke system for floor mounting and overhead hanging applications. Secure the fixture with a safety bond when hung. A provision for a fixing hold is built into the fixture.





2.4 Optics

The Color One 100X is built with an optical lens that provides a fully homogenised beam angle of approximately ~ 18°.

2.5 Control

The Color One 100X is controlled remotely via ANSI E1.11 USITT DMX512-A protocol or can operate as a standalone unit with the wireless IR Remote. The control functions can be accessed through the LCD display at the rear of the fixture with 4 push buttons.



	Back Arrow	(Enter) Stores the menu choice
	Up Arrow	Increases (+) the mode level or value
	Down Arrow	Decreases (-) the mode level or value
	Exit	Back to the previous menu

Power-Up Display:

On power-up, the display shows the Brand, Model Name and Software Version for 5 seconds then goes on to show the Main Menu. The Main Menu shows:

- Model Name
- DMX Status
- DMX Address
- Set Control Personality (Mode)
- Number of Assigned Channels

Display Mode:

The LCD is backlit when you access the menus. This will switch off when left undisturbed for 10 seconds.

Personality:

The Color One 100X features a proprietary single LED engine with a combination of Red, Green, Blue and Amber LEDs. Six Personality modes are available for the control of the fixture LEDs:

Display	Ch	Description
1-RGBA	4	1 DMX channel for the control of all Red LEDs 1 DMX channel for the control of all Green LEDs 1 DMX channel for the control of all Blue LEDs
2-RGBAI	5	1 DMX channel for the control of all Red LEDs 1 DMX channel for the control of all Green LEDs 1 DMX channel for the control of all Blue LEDs 1 DMX channel for the control of all Amber LEDs
3-HSI	3	1 DMX channel for the control of Hue 1 DMX channel for the control of Saturation 1 DMX channel for the
4-RGB	3	1 DMX channel for the control of all Red LEDs 1 DMX channel for the control of all Green LEDs 1 DMX channel for the control of all Blue LEDs (With "Magic Amber" – the term used for the unit's ability to bring in Amber
5-MLED RGB	3	1 DMX channel for the control of all Red LEDs 1 DMX channel for the control of all Green LEDs 1 DMX channel for the
6-Master		The unit is set as the Master unit. All settings of the Master unit will be repeated on all Slave units.
7-Slave		The unit is set as the Slave unit. All settings of the Slave units follow the Master

Wireless IR Remote:

The Color One 100X can be controlled via wireless IR Remote in standalone operation. The fixture is set in IR Remote control by selecting IR Remote in the menu No DMX Present.

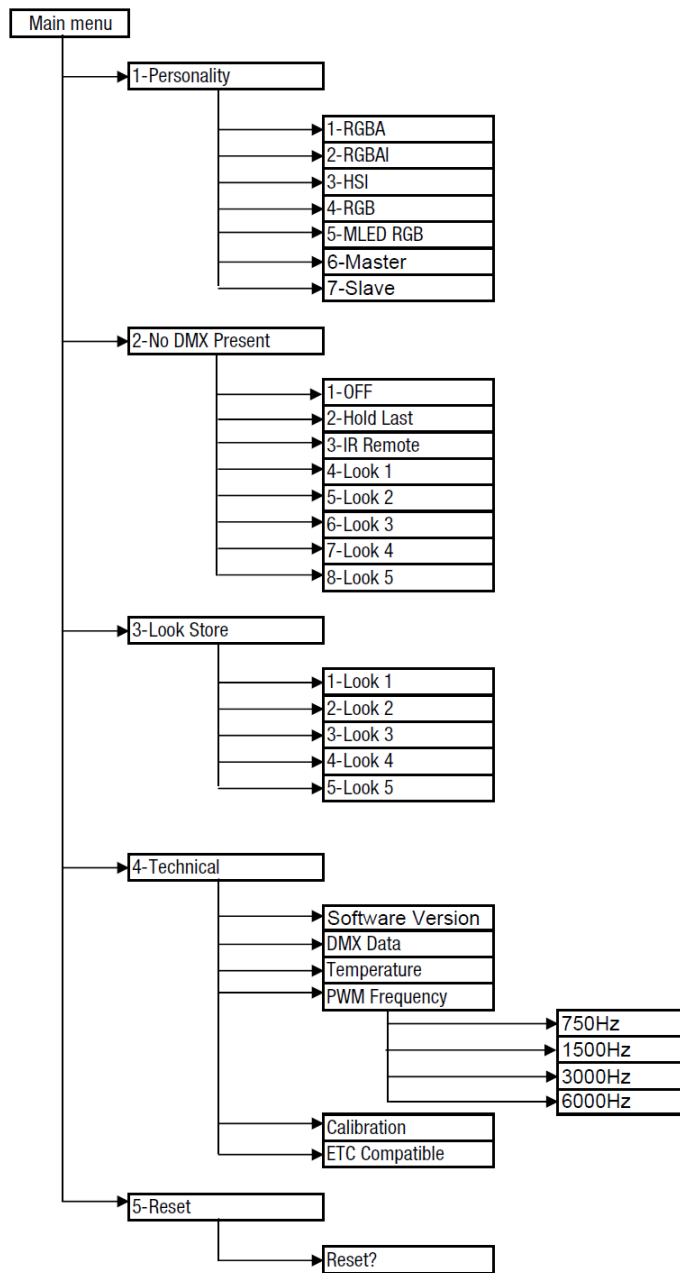
Point the IR Remote towards the fixture.

The IR Remote features buttons for the following control options:



- On and Off
- Dim Up and Down
- 15 Colors
- White
- 4 Effects: Full Color Scroll (Flash), Warm Color Scroll (Strobe), Fade In/Fade Out, and Cold Color Scroll (Smooth)

Control Menu



- Use the Up and Down arrows to navigate the control menu options
- Press Enter to select a control menu option
- Press Enter to save the setting, display shows Done and returns to the previous menu
- Press Exit to return to the previous menu without saving
- The display goes back to the Main Menu

Main Menu

The Main Menu displays the following:

- Model name
- DMX status
- DMX start address
- Personality (Control Mode)
- Number of assigned channels

→ To set the DMX start address,

1. From the Main Menu, press Enter
2. Press Up or Down to adjust the DMX start address
3. Press Enter to save

Display shows Done and returns to the Main Menu.

→ 1-Personality

The Color One 100X can be set to operate in DMX controlled and standalone modes. Refer to the list below for details.

To set the Personality,

1. From the Main Menu, press Up or Down to access 1-Personality
2. Press Enter and then Up or Down to select the mode
3. Press Enter to save

The display shows Done, returns to 1-Personality and then the Main Menu. Personality

Display	Ch	Descripti
1-RGBA	4	Red, Green, Blue, Amber
2-RGBAI	5	Red, Green, Blue, Amber,
3-HSI	3	Hue, Saturation, Intensity
4-RGB	3	Red, Green, Blue (*Magic
5-MLED	3	Red, Green, Blue
6-Master	0	Set as master unit in
7-Slave	0	Set as slave unit in

*Magic Amber is the term used for the unit's ability to bring in amber when mixing colours that require it.



2-No DMX Present

If DMX control signal from an external source is not detected, various standalone output options can be selected:

1-OFF	Fixture has no light output
2-Hold	Fixture holds the last valid DMX state
3-IR	Fixture is controlled via remote infrared
4-Look 1	Fixture snaps to Blue
5-Look 2	Fixture snaps to Cyan
6-Look 3	Fixture snaps to Magenta
7-Look 4	Fixture snaps to Yellow
8-Look 5	Fixture snaps to White

To set the option when there is No DMX Present,

1. From the Main Menu, press Up or Down to access 2-No DMX Present
2. Press Enter, then press Up or Down to select the option
3. Press Enter to save

The display shows Done, returns to 2-No DMX Present and then the Main Menu.



3-Look

Store In

this mode,

- 5 internal preset Looks are available for stand-alone operation (see No DMX Present)
- Looks created from an external DMX console can be captured, modified and stored in any of the 5 Look numbers and will be preserved on power down
- Looks will be returned to default setting if reset is performed

Look	Blue
Look	Cyan
Look	Magent
Look	Yellow
Look	White

To recall and modify a Look in stand-alone operation,

1. From the Main Menu, press Up or Down to access 3-Look Store
2. Press Enter and press Up or Down to select from Look 1 to 5
3. Press Enter to turn the recorded Look on and the display shows channels R, G, B, A on the top row and the corresponding intensity levels on the bottom row
4. Press Enter to switch between the R, G, B, A channels
5. Press Up or Down to adjust the corresponding intensity levels
6. Press and hold Enter to save the setting, display shows Recorded, and then goes back to the previous Menu.

To record a Look created from a remote DMX console:

1. Set the fixture to the desired Personality
2. Use an external DMX console to adjust the assigned channel levels and create the desired look or effect
3. From the Main Menu, press Up or Down to select 3-Look Store
4. Press Enter, press Up or Down to select the Look number
5. Press and hold Enter to record the Look and the display shows Recorded, and then goes back to the previous Menu.

Looks created with a remote DMX console can be modified, recorded and assigned to Looks 1-5, and will be preserved on power down. Looks will be returned to default settings upon reset.



4-Technical

In this mode,

- Software Version is displayed
- DMX Data (value) of the LED channels are displayed
- Internal temperature is displayed
- The fixture can be set to 4 frequency options - the LED scan rate can be synchronised with the video camera to avoid a flickering effect
Frequency options: 750 Hz, 1500 Hz, 3000 Hz, 6000 Hz
- Calibration data of the LED channels are displayed
- ETC Compatible mode is switched On or Off - colour output of the Color One 100X fixture can be set to match
the Color Picker feature in the ETC Ion and Eos consoles

To display the Software Version,

1. From the Main Menu, press Up or Down to access 4-Technical
2. Press Enter, the display shows the Software Version

To display DMX Data,

1. From the Main Menu, press Up or Down to access 4-Technical
2. Press Enter, Up or Down and select DMX Data
3. Press Enter, the display shows the DMX channel values.

To display the temperature of the LED Engine in the fixture,

1. From the Main Menu, press Up or Down to access 4-Technical
2. Press Enter, Up or Down and select Temperature
3. Press Enter, the display shows the LED Engine Temperature.

To set the Frequency,

1. From the Main Menu, press Up or Down to access 4-Technical
 2. Press Enter, Up or Down and select PWM Frequency
 3. Press Enter, Up or Down and select a frequency option
 4. Press Enter to save
- The display shows Done and returns to 4-Technical and then Main Menu.

To display the Calibration data,

1. From the Main Menu, press Up or Down to access 4-Technical
2. Press Enter, Up or Down and select Calibration
3. Press Enter, the display shows the calibration values.

To activate the ETC Compatible mode,

1. From the Main Menu, press Up or Down to access 4-Technical
2. Press Enter, Up or Down and select ETC Compatible
3. Press Enter, Up or Down and select On to activate or Off to deactivate
4. Press Enter to save

The display shows Done and returns to 4-Technical and then Main Menu.



5-Reset

To reset the Color One 100X to the factory default

settin1g.s, From the Main Menu, press Up or Down to access 5-Reset

2. Press Enter, display shows reset?
3. Press and hold Enter for 2 seconds, display shows Hold for 2 sec. and Done after 2 seconds, then back to the Main Menu.

All control menu commands are reset to factory defaults:

DMX address	1
Personality	RGBA
No DMX	Hold
Look Store	1
PWM	750Hz
ETC	Off

2.6 DMX Protocol

DMX Personality:

COLOR One 100X V1.6	1- RGBA [4 ch]	2- RGBAI [5 ch]	3-HSI [3 ch]	4-RGB [3 ch] *Magic	5-MLED RGB [3 ch]
Channel 1	Red	Red	Hue	Red	Red
Channel 2	Green	Green	Saturation	Green	Green
Channel 3	Blue	Blue	Intensity	Blue	Blue
Channel 4	Amber	Amber			
Channel 5		Intensity			
Total	4 DMX ch	5 DMX ch	3 DMX ch	3 DMX ch	3 DMX ch

2.7 RDM

Refer to the table below for RDM implementation in the Color One 100X

Parameter	Implemented	SET	GET	Value(s)	100X
MANUFACTURER_LABEL			X	0x5370	Chroma-Q
DEVICE_MODEL_DESCRIPTION			X	0x0002	CL1-100X
DEVICE_INFO	Yes	No	X		Sends the Device Info
DMX_PERSONALITY	Yes	X	X	1	RGBA
				2	RGBAI
				3	HSI
				4	RGB
				5	MLED RGB
DMX_START_ADDRESS	Yes	X	X	1-512	DMX Start Address
IDENTIFY_DEVICE	No	X	No		Turns on
RESET_DEVICE	No	X	No		Factory Defaults
SENSOR_DEFINITION	Yes	No	X		Engine Temperature

SENSOR_VALUE	Yes	No	X		Temperature in C°
SOFTWARE_VERSION_LABEL	Yes	No	X		Current Version

2.8 Thermal Performance

The internal cooling system of the Color One 100X is by convection and the fixture is built with automatic protection. The fixture's automatic protection reduces the output when the internal temperature reaches the maximum limit due to extreme ambient conditions.

3. Troubleshooting

Troubleshooting is a process of elimination. First, rule out the other field factors (i.e. bad connections, faulty cables and power supplies). For technical support and/or parts, please contact your selling dealer or the offices listed in this manual.

Sympto	Possible	Solutio
Fixture does not to DMX control.	Set to wrong or different DMX address. Bad cable connecting DMX control and Bad in/through connection between fixtures.	Check DMX address and Mode settings. Check/replace DMX run from console.
Low LED output.	Internal temperature is over the limit.	Check area ventilation.

4. Specification

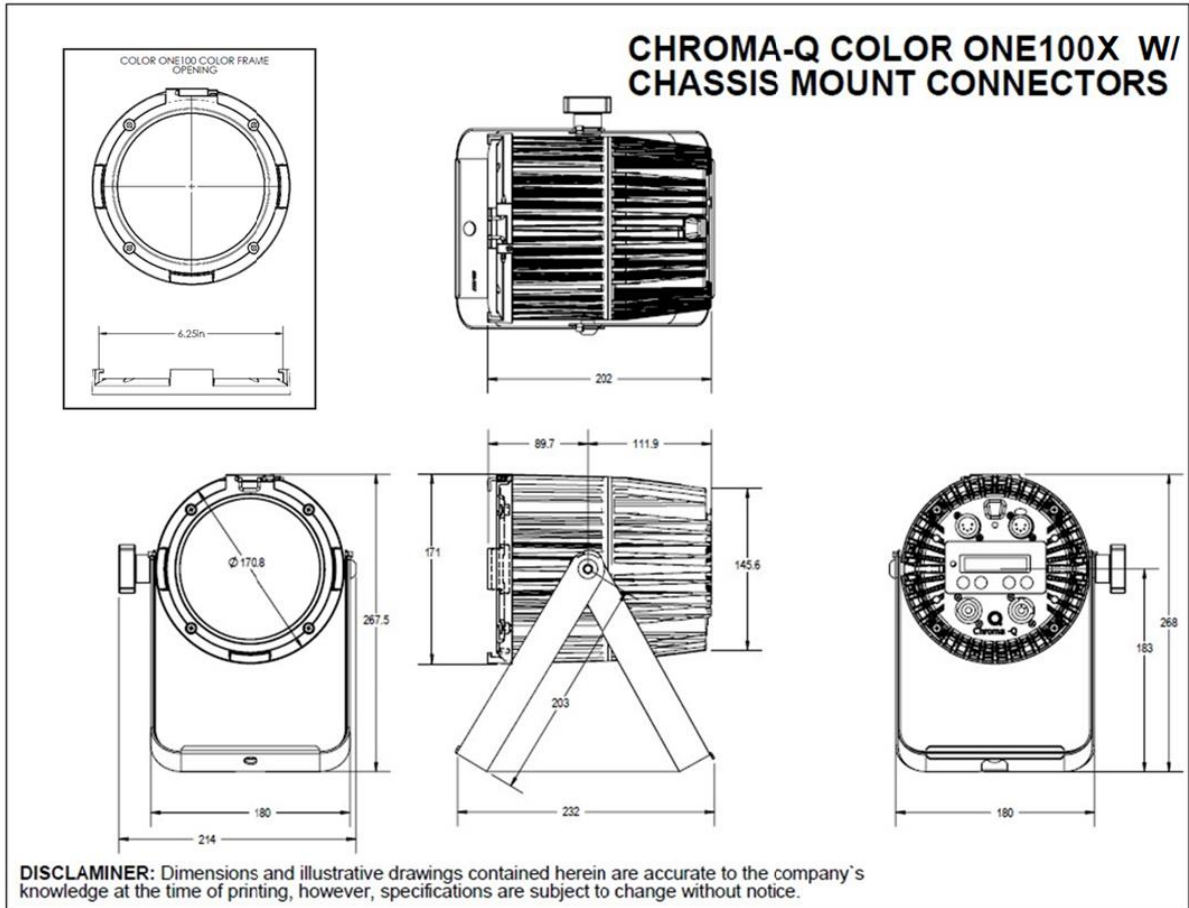
4.1 Technical Specifications

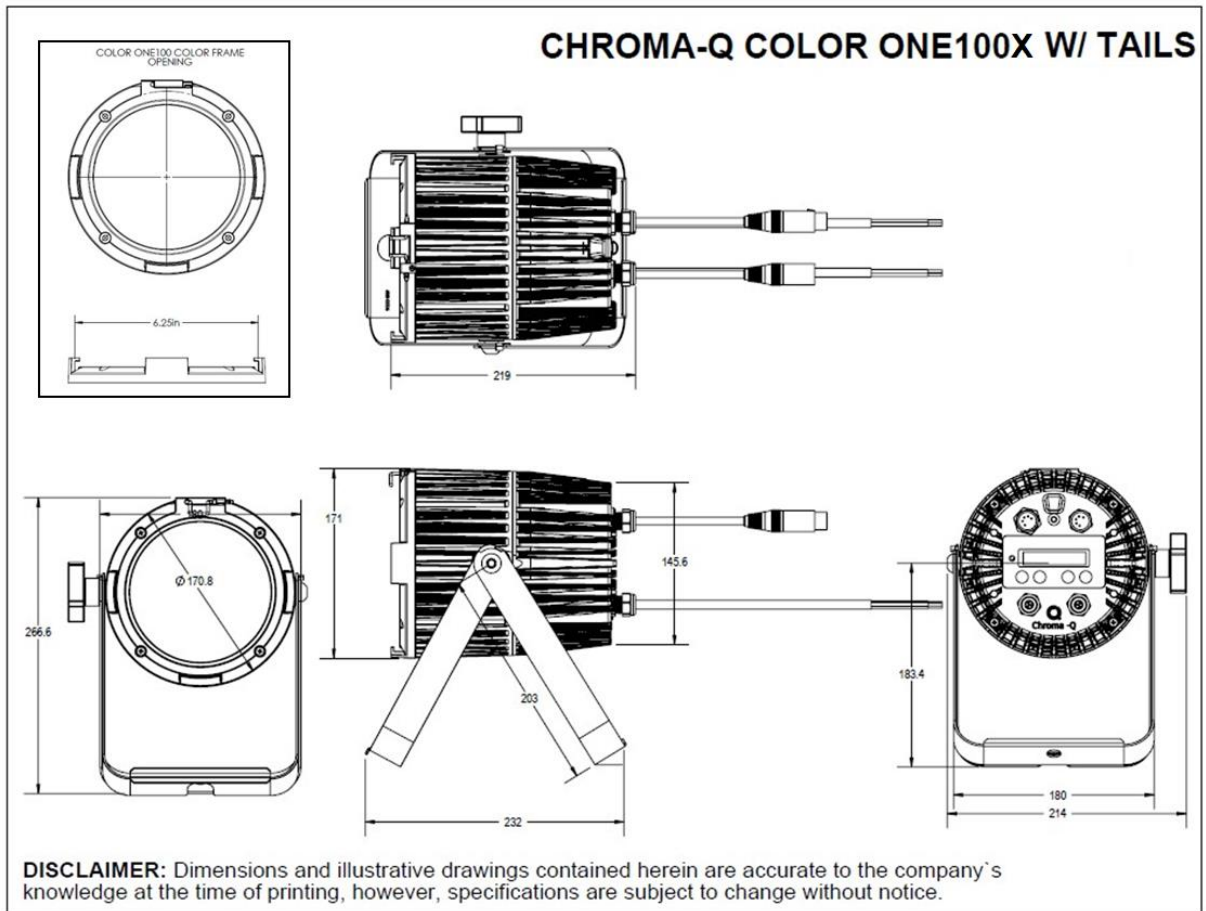
Product Code	CHCONEX100RGBA	CHCONE100XRGBAIPSS
Net Dimensions** (Without Fixings - Width x Height x Depth)	214mm x 267mm x 232mm / 8.5" x 10.5" x 9" (Full open yoke)	
Net Weight (Without Fixings)	3.8 kg / 8.5 lb	4.3 kg / 9.5 lb
Shipping Dimensions – Width x Height x Depth	406mm x 228mm x 292mm / 16" x 9" x 11.5"	
Shipping Weight	5.5 kg / 12 lb	6 kg / 12.5 lb
Power & Connections		
Power Supply	Built-in	
Power Input Rating	100-240V AC 50-60Hz 125VA	
Power Factor	0.5	
Power Consumption	63W (Maximum); 5.5W (Stand-by)	
Inrush Current	22A @ 120VAC, 39A @ 230VAC	
Typical Power & Current	Measurements done with all LEDs at maximum intensity. Measurements made at nominal voltage. Allow for a deviation of +/- 10%.	
Power connector In/Out	Neutrik® powerCon	Trailing leads
Data Connectors In/Out	Neutrik® XLR 5-pin	Neutrik® Stainless Steel XLR 5-pin Trailing leads
Control Protocol	ANSI E1.11 USITT DMX 512-A	
Cooling System	Convection	
Operating Temperature	0°C to 40°C	-20°C to +40°C
Construction	Cast machined aluminium	
Colour	Black (Custom colours available on request)	
Built-In Hardware	Split Yoke, 6.25" Accessory Holder	
IP Rating	IP20	IP65
Approvals	CISPR 15/EN55015 & EN61547, FCC Part 15 Subpart B:2012 / ICES-003:2012, CSA C22.2, UL 1573, IEC 60598	
Control & Photometric		
LED Engines	1 (Proprietary)	
Control Modes	4 channels RGBA, 5 channels RGBAI, 3 channels HSI, 3 channels RGB, 3 channels MLED RGB, Master, Slave	
Dimming Curve	Theatrical	
Variable Effects Engine	Yes (via Wireless IR Remote)	
Effects Parameters	Full Color Scroll, Warm Color Scroll, Cold Color Scroll and Fade In/Fade Out	
Hot Lumen Output (Combined)	1950	
Optics	Fully Homogenised	
Beam Angle	19.4° (approx)	
Beam Distribution	Symmetrical direct illumination	
CCT	Adjustable 1,000 – 10,000K	
Colour Gamut	Performance enhanced, Extended Gamut	
CRI	93	
Lamp Life	L70 at 50,000 hours	

**For exact measurements please refer to the line drawings below



4.2 Drawings – Dimensions





5. Maintenance

With care, the Color One 100X requires little maintenance. However, as the unit is likely to be used in a stage environment we recommend periodical internal inspection and cleaning of any resulting dust and cracked oil residue.

If the front enclosure requires cleaning, wipe with a mild detergent on a damp cloth.